

# MANUAL CHANGES

## MANUAL IDENTIFICATION

Model Number: 8444A  
Date Printed: January 1975  
Part Number: 08444-90012

This supplement contains important information for correcting manual errors and for adapting the manual to instruments containing improvements made after the printing of the manual.

To use this supplement:

Make all ERRATA corrections

Make all appropriate serial number related changes indicated in the tables below.

Serial Prefix or Number	Make Manual Changes	Serial Prefix or Number	Make Manual Changes
1601A	1		

### ► NEW ITEM

## ERRATA

Page 1-0, Figure 1-1:

Delete RACK MOUNTING KIT, 5060-8739.

Page 1-4, Table 1-2:

Delete all references to Rack Mounting Kit.

Page 1-7, Table 1-4:

Add: 5060-8739 RACK MOUNTING KIT to install instrument in 19-inch rack.

### ► CHANGE 1

Page 6-6, Table 6-2:

Change A8 HP Part Number to 0960-0444.

Page 6-7, Table 6-2:

Change S1 HP Part Number to 3101-1395.

Page 8-19, Figure 8-17:

Replace ON/OFF switch S1 and POWER LINE MODULE A8, wiring diagram and schematic, with Figure 1 of this MANUAL CHANGES.

## NOTE

Manual change supplements are revised as often as necessary to keep manuals as current and accurate as possible. Hewlett-Packard recommends that you periodically request the latest edition of this supplement. Free copies are available from all HP offices. When requesting copies quote the manual identification information from your supplement, or the model number and print date from the title page of the manual.

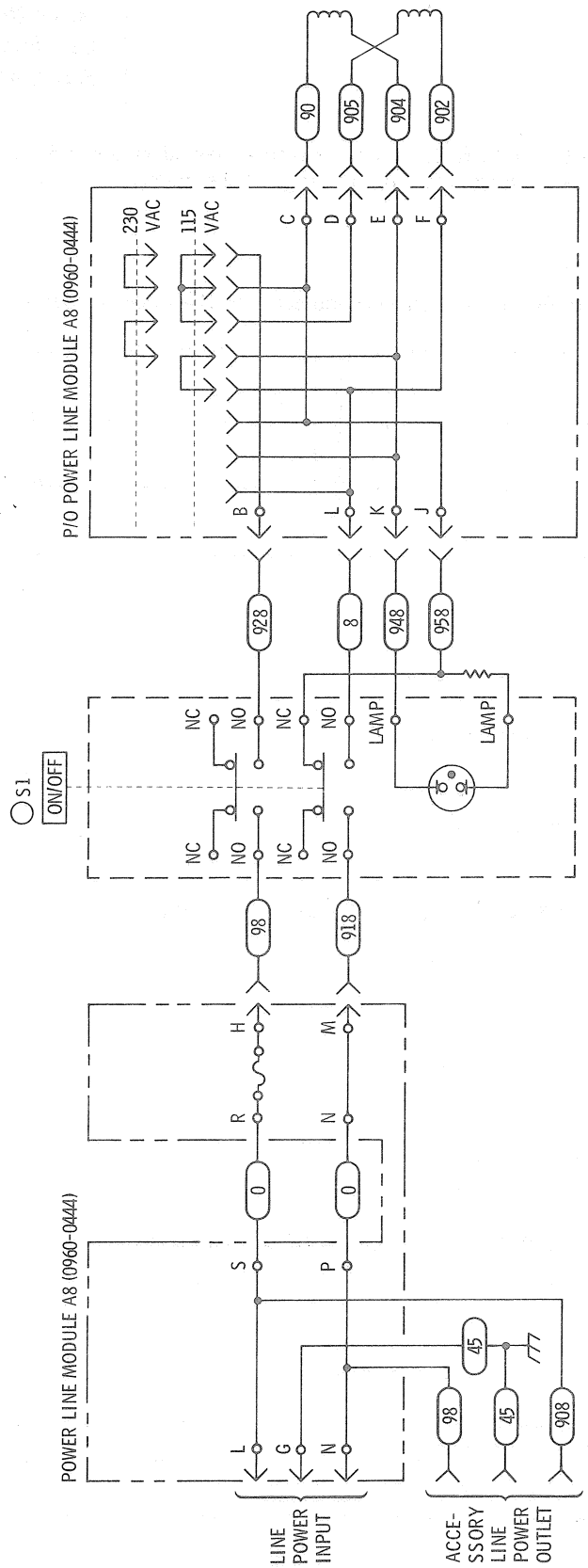


Figure 1. P/O Figure 8-17, Power Supply and Input Circuit, Schematic Diagram